



REFERENCE : KP532

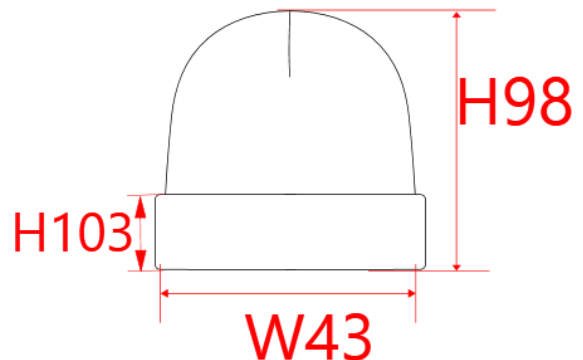
SIZES : U

COMPOSITION :

Main fabric : Viscose / Polyester / Polyamide yarn knit 52/28/20
52%viscose/28%polyester/20%polyamide

ARTICLE WEIGHT :

60 gr/pc



DESCRIPTION
Français : Bonnet grosse maille
English : Chunky knit beanie
Nederlands : Dik gebreide muts
Deutsch : Grobgestrickte Mütze
Español : Gorro grueso
Italiano : Berretto lavorato a maglia grossa
Português : Gorro em malha

COLORS	PANTONE SERIGRAPHIE
Dark grey	447C
Off grey	-
Off navy	-
Off fuchsia	-

MEASUREMENT	
Description	U
H98 Front hat height	21
W43 1/2 largeur bas bonnet / 1/2 hat bottom width	16,50
H103 Height of the turn up of the hat	6

CARE LABEL				

PACKING	
Box	100 pcs / box U => L:60cm W:40cm H:30cm GW:6.2kg NW:5.5kg